



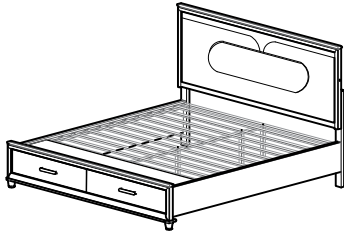
ASSEMBLY INSTRUCTION

2451K-1 - King Headboard W/Led

2451K-2 - King Footboard , Slats & Support legs

2451K-2DW - King Storage Drawers

2451K-3CK - California King Side Rails



⚠ Thank you for purchasing this product. Please take time to read and follow the instructions below. Check that you have all parts and hardware before assembly. Parts apparently missing are often found in the packing materials. If you do not have all the parts listed, have your dealer contact us and they will be sent to you immediately.

Merci d'avoir acheté ce produit. Veuillez lire et suivre les instructions ci-dessous. Vérifiez avant le montage que vous avez toutes les pièces et fixations. Les pièces qui semblent manquer se trouvent souvent dans les matériaux d'emballage. Si vous n'avez pas toutes les pièces de la liste, demandez votre détaillant et nous les enverrons immédiatement.

⚠ It is recommended to install protective pads under all legs and supports to avoid damage or scratches when placing furniture on a wood floor or other hard surface, and to limit indentation and prevent discoloration if placing on carpet.

Il est recommandé de placer des coussins protecteurs sous tous les pieds et toutes les bases des meubles pour éviter d'endommager ou d'égratigner les planchers en bois ou autres surfaces dures, et pour limiter l'empreinte et empêcher la décoloration quand les meubles reposent sur la moquette.

⚠ Hardware may loosen over time. Periodically check to make sure all connections are tight. Re-tighten if necessary. Le matériel peut se desserrer au fil du temps. Vérifiez périodiquement que toutes les connexions sont serrées. Serrer à nouveau si nécessaire.

2451K-1 PART LIST			
NO	NAME	PART	QTY
A	Headboard		1pc
2451K-2 PART LIST			
B	Footboard		1pc
C	Bun Foot		2pcs
D	Roll Slat		1Roll (13pcs)
E	Slat Support Leg		3pcs
F	Drawer Support Leg		1pc
G	Slat Cover Panel		1pc
H	Drawer Support Rail		1pc
I	Wood Block		1pc
2451K-2DW PART LIST			
J	Drawer with support panel		2sets

2451K-3CK PART LIST			
K	Side Rail		2pcs
L	Center Vertical Slat		1pc
M	Top Cap		2pcs
N	Slat		1pc
O	Slat Support Leg		1pc

HARDWARE LIST#			
NO	NAME	PART	QTY
1	Allen key 4mm		1pc
2	JCBC M6 x 16mm		2pcs
3	JCBC M6 x 35mm		6pcs
4	JCBC M6 x 60mm		3pcs
5	M6 Spring washer		11pcs
6	M6 Flat washer		7pcs
7	1/4" Flat washer		1pc
8	Screw 32mm		26pcs
9	Screw 16mm		2pcs
10	Adjustable Leveler		4pcs

HARDWARE LOCATED IN FOOTBOARD BOX

11	Allen key 4mm		1pc
12	JCBC M6 x 45mm		10pcs
13	M6 Spring washer		11pcs
14	M6 Flat washer		10pcs
15	JCBC M6 x 35mm		1pc
16	Screw 32mm		2pcs
17	Adjustable Leveler		1pc

HARDWARE LOCATED IN SIDE RAIL BOX

**⚠ DO NOT TIGHTEN BOLTS UNTIL COMPLETELY ASSEMBLED.
NE PAS SERRER LES BOULONS JUSQU'À CE QUE LE MONTAGE SOIT
COMPLÈTMENT TERMINÉ.**

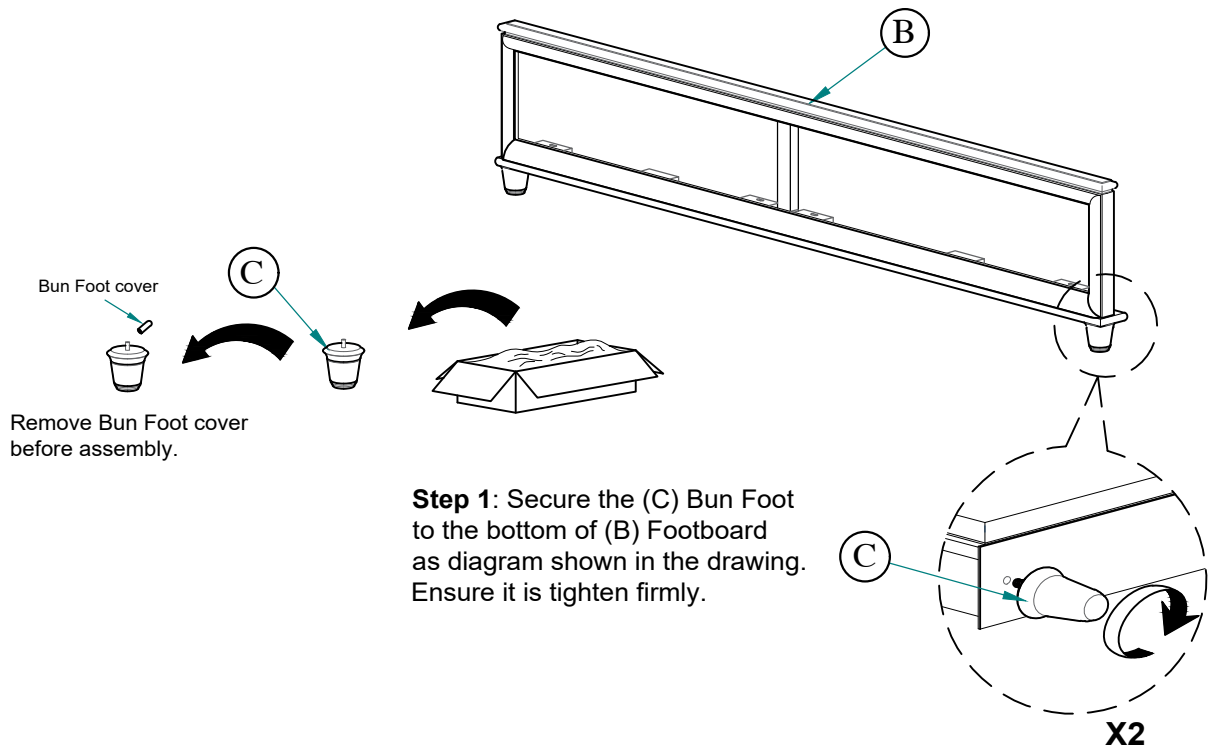
SAFETY WARNING:

Insert the polarized plug to the proper outlet to turn the light on and unplug to turn the light off. It is not recommended to use the light continuously for more than 12 hours.

AVERTISSEMENT DE SÉCURITÉ :

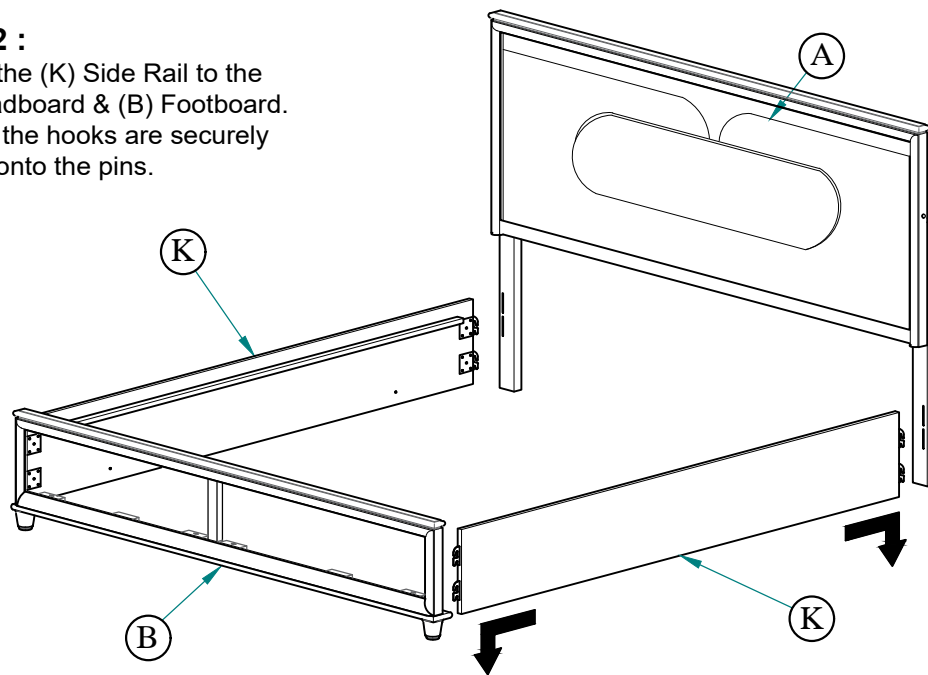
Pour allumer la lumière, veuillez insérer la fiche polarisée à la prise murale appropriée et simplement déconnecter pour l'éteindre.

Il n'est pas recommandé d'utiliser la lumière continuellement pour plus de 12 heures.



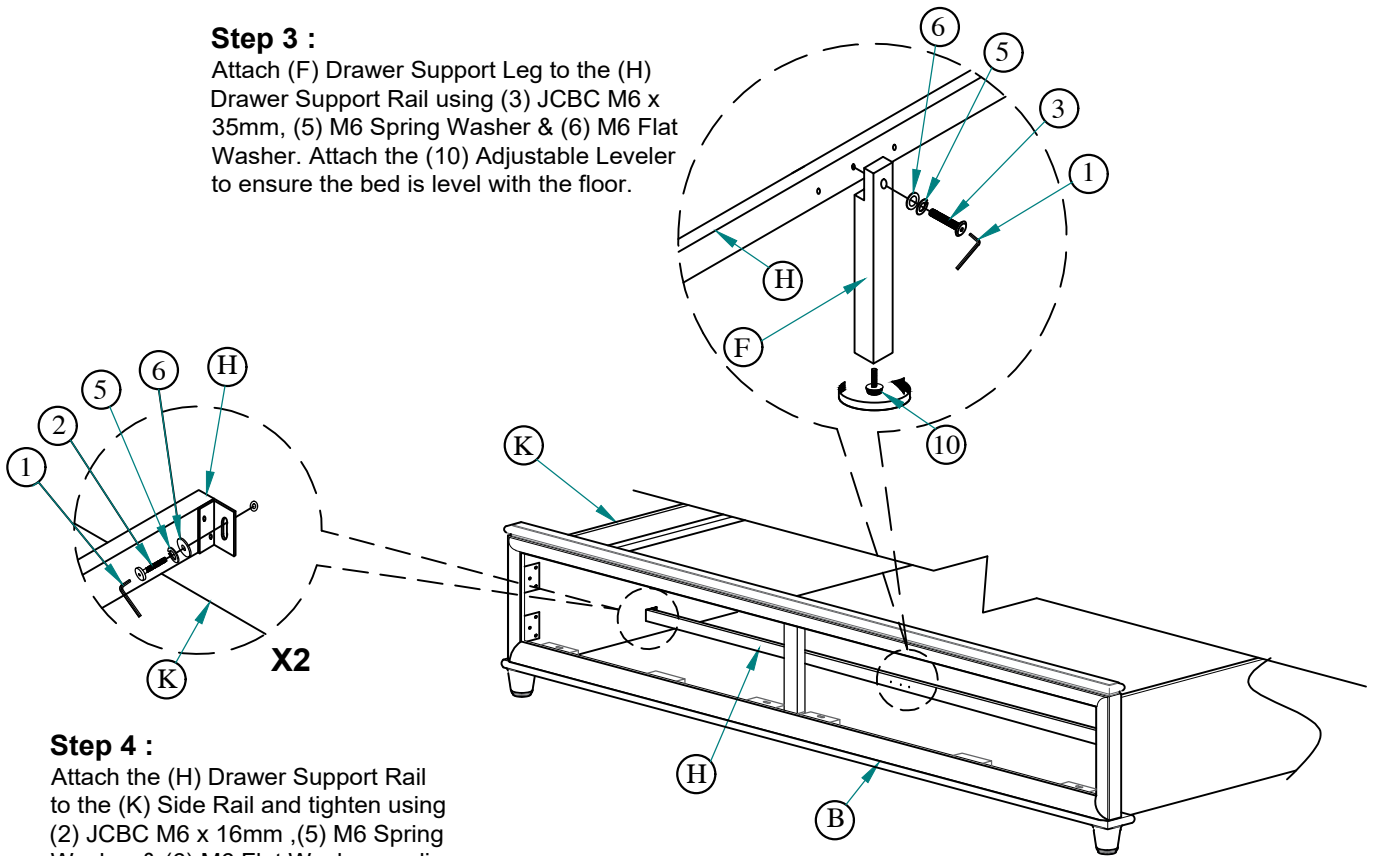
Step 2 :

Attach the (K) Side Rail to the (A) Headboard & (B) Footboard. Ensure the hooks are securely locked onto the pins.



Step 3 :

Attach (F) Drawer Support Leg to the (H) Drawer Support Rail using (3) JCBC M6 x 35mm, (5) M6 Spring Washer & (6) M6 Flat Washer. Attach the (10) Adjustable Leveler to ensure the bed is level with the floor.

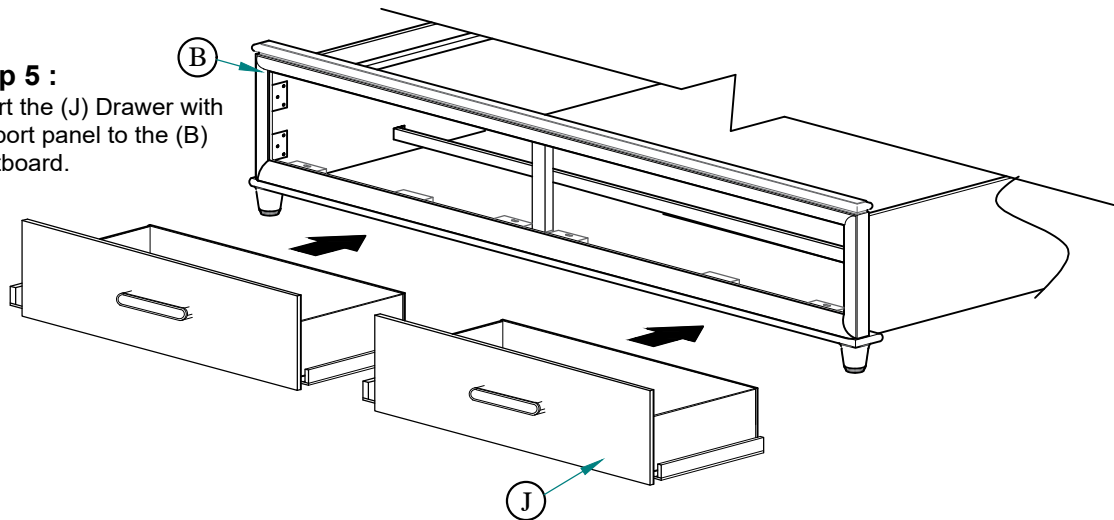


Step 4 :

Attach the (H) Drawer Support Rail to the (K) Side Rail and tighten using (2) JCBC M6 x 16mm, (5) M6 Spring Washer & (6) M6 Flat Washer as diagram shown.

Step 5 :

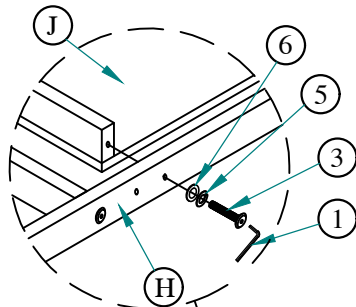
Insert the (J) Drawer with support panel to the (B) Footboard.



Step 7 :

Secure the (I) Wood Block to the parting rail at the center of (B) Footboard using (3) JCBC M6 x 35mm, (5) M6 Spring Washer & (7) $\frac{1}{4}$ " Flat Washer.

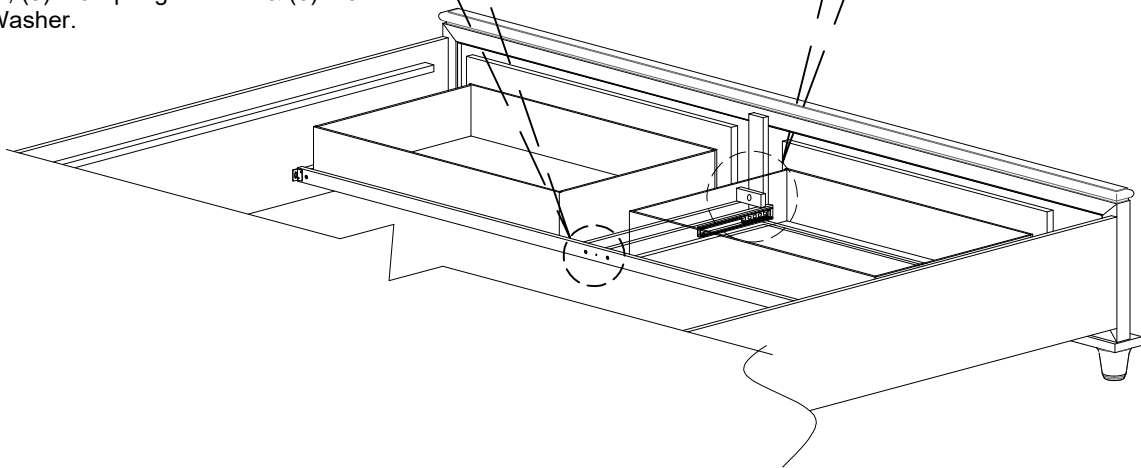
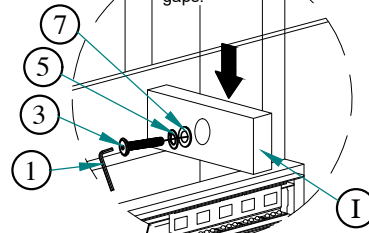
Ensure the wood block is fitted tightly against the drawer base rails with no gaps.



X4

Step 6 :

Tighten the (J) Drawer with support panel to the (H) Drawer Support Rail as diagram shown using the (3) JCBC M6 x 35mm, (5) M6 Spring Washer & (6) M6 Flat Washer.

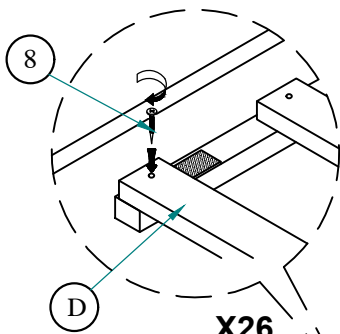


Step 9 :

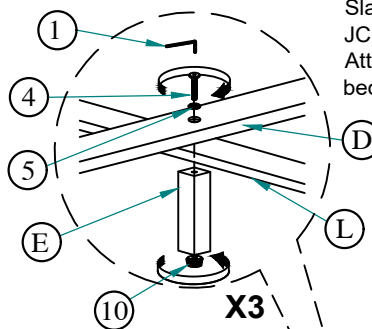
Attach (E) Slat Support Leg & (L) Center Vertical Slat to the bottom of (D) Roll Slat using (4) JCBC M6 x 60mm & (5) M6 Spring Washer. Attach the (10) Adjustable leveler to ensure the bed is level with the floor.

Step 8 :

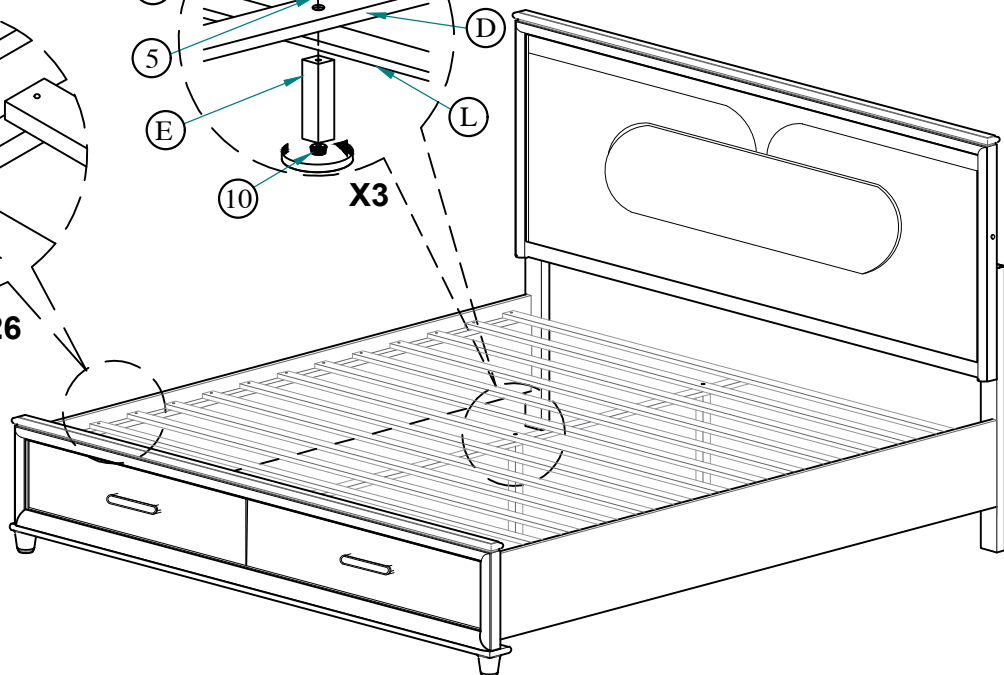
Secure the (D) Roll Slat using the (8) Screw 32mm provided.



X26

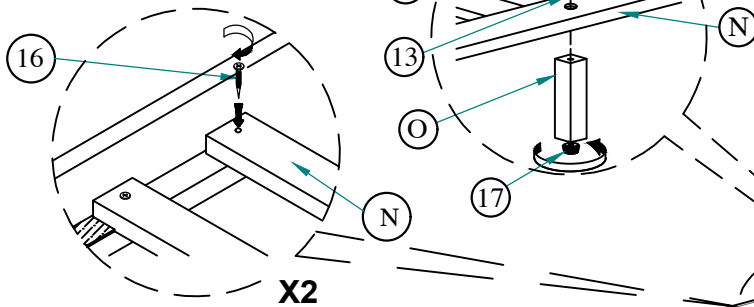


X3



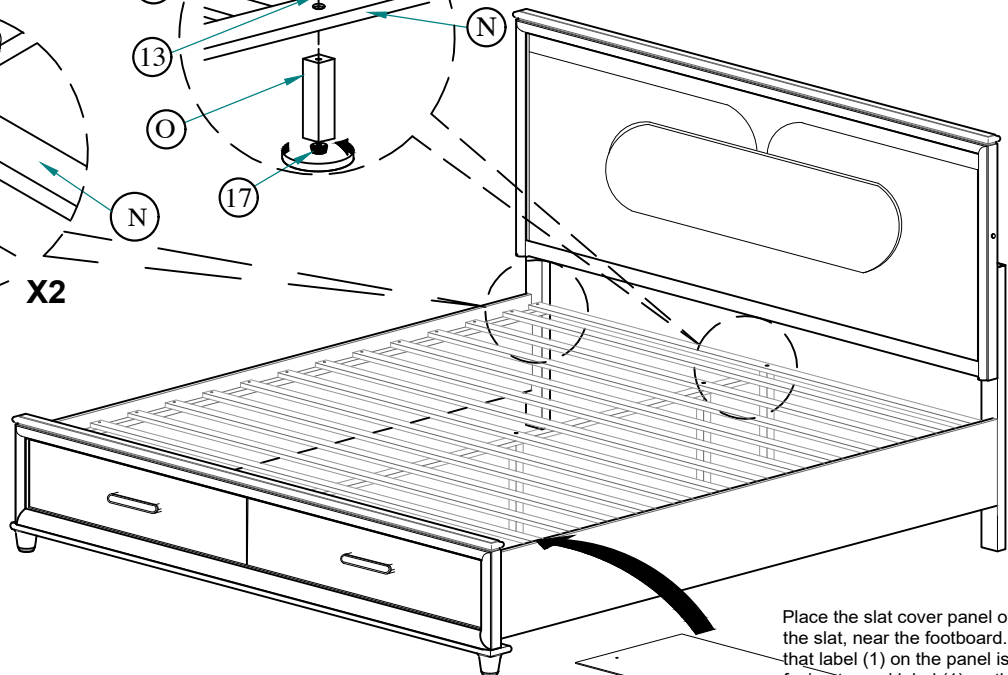
Step 10 :

Secure the (N) Slat using the (16) Screw 32mm provided.

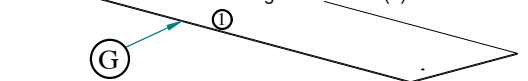


Step 11 :

Attach (O) Slat Support Leg to the bottom of (N) Slat using (15) JCBC M6 x 35mm & (13) M6 Spring Washer. Attach the (17) Adjustable leveler to ensure the bed is level with the floor.

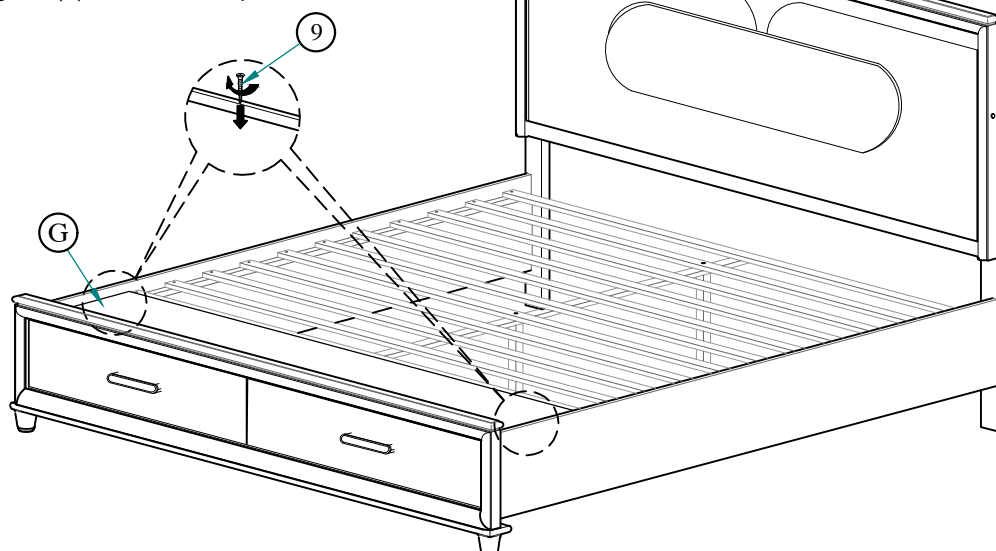


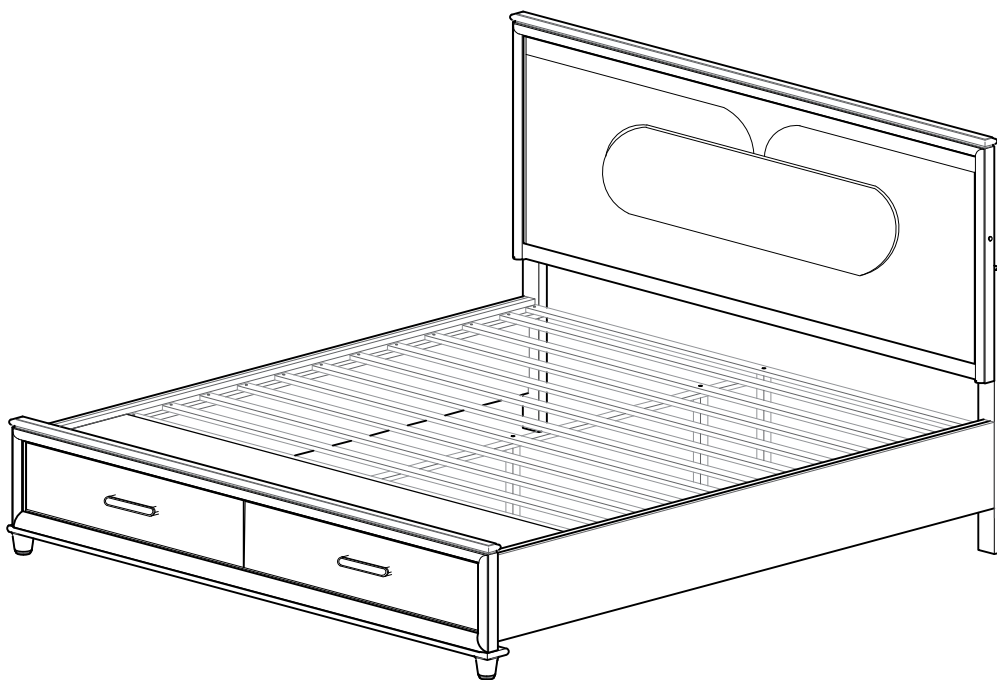
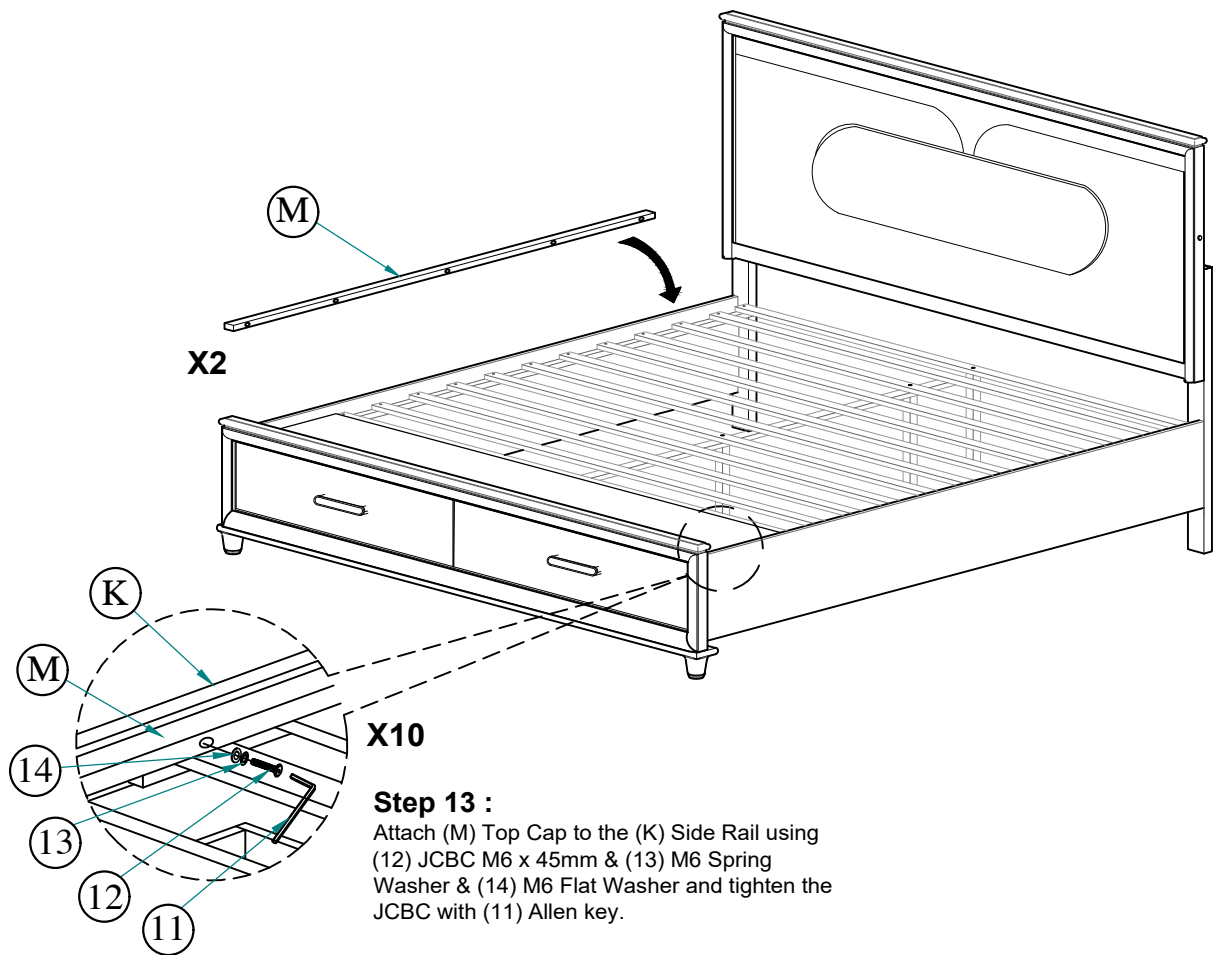
Place the slat cover panel on the top of the slat, near the footboard. Make sure that label (1) on the panel is aligned and facing toward label (1) on the footboard.



Step 12 :

Attach the (G) Slat Cover Panel to the top of slat close to the footboard and using the (9) Screw 16mm provided.





Assembly completed