



ASSEMBLY INSTRUCTION

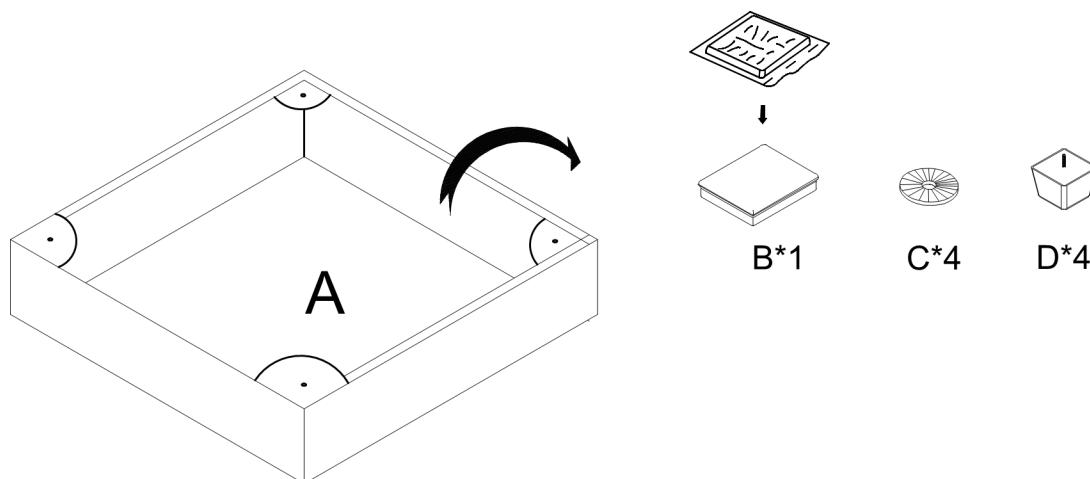
ITEM NO.: 8450TPE/PWT-4
Ottoman



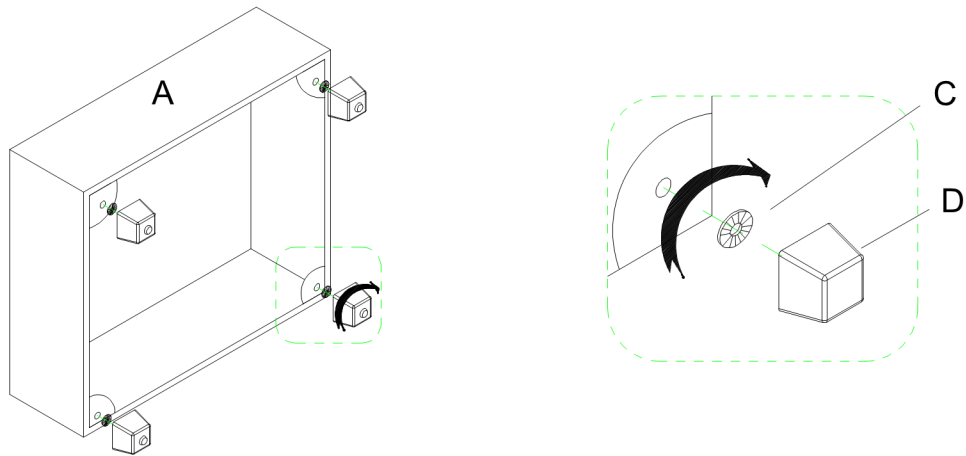
NOTE: Do not use power tools for assembly. Power tools increase the risk of over tightening which lead to splitting or cracking the wood.

Ottoman COMPONENT LIST

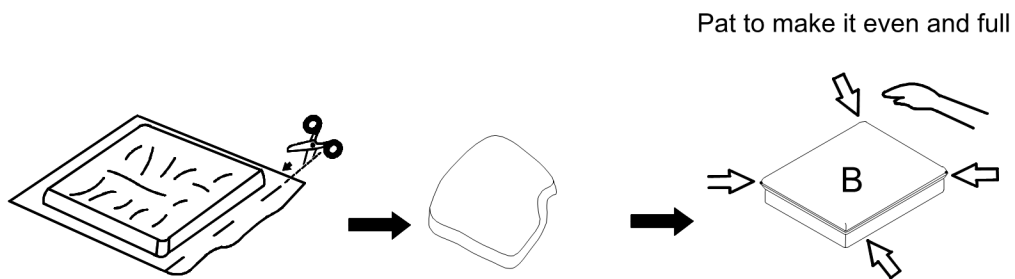
NO	DRAWING	QTY	Description
A		1	SEAT
B		1	SEAT CUSHION
C		4	Plastic Washer (Φ 45*3mm)
D		4	PLASTIC LEG



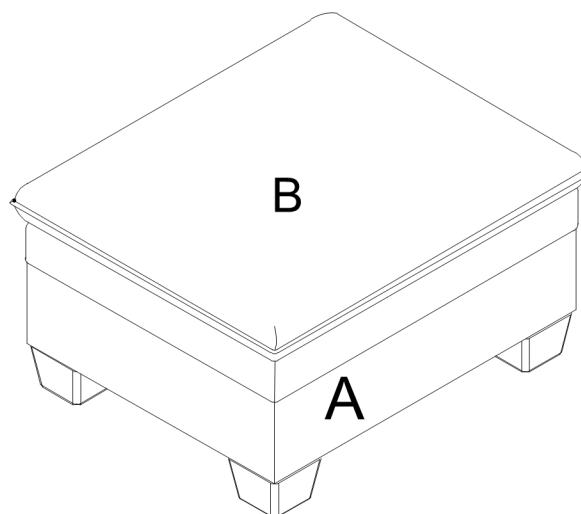
Step 1

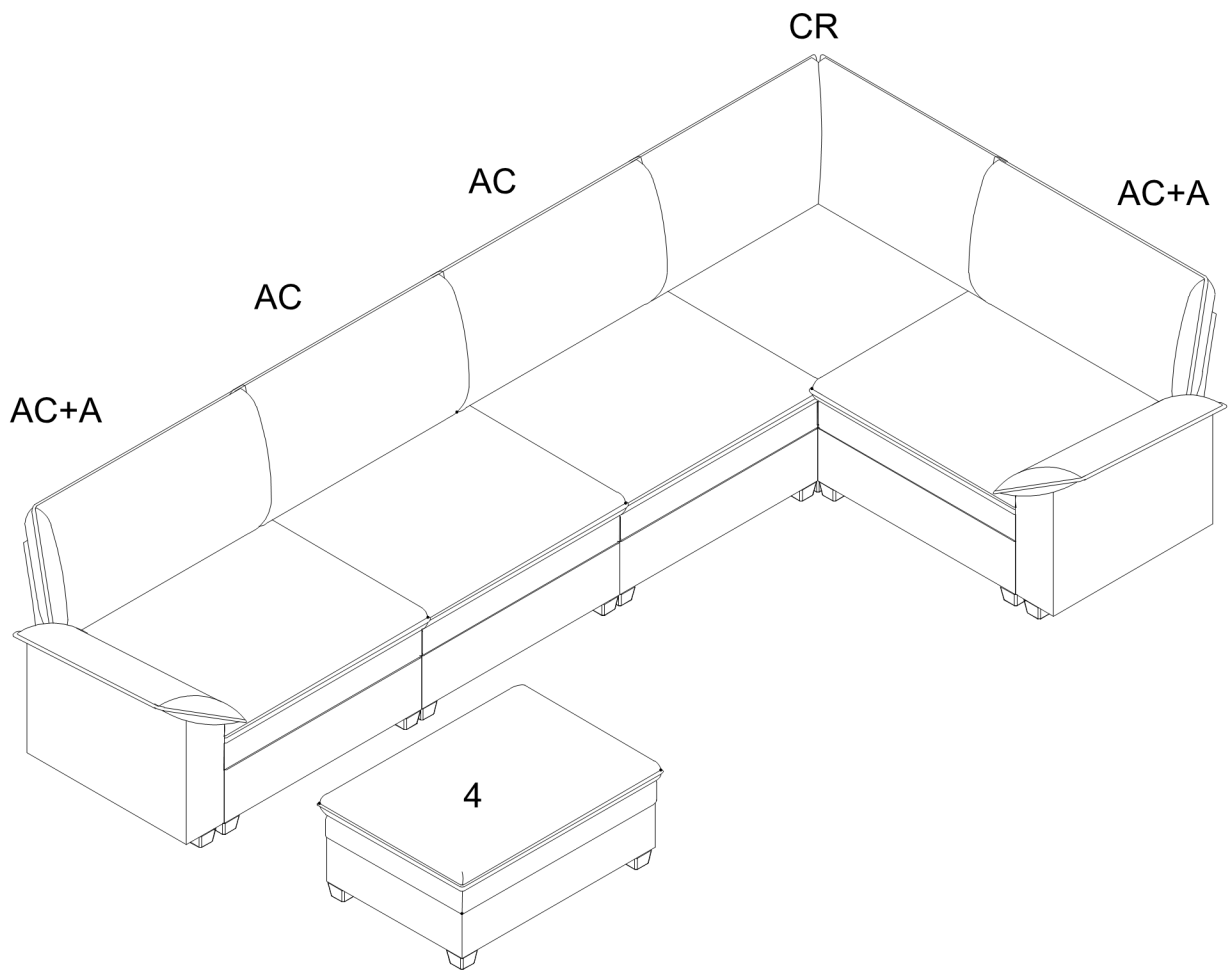


Step 2



Step 3





Care Instruction for Chenille Furniture:

In order to maintain the original appearance of your Chenille furniture, please follow below simple care procedures:

Avoid exposing furniture directly to sunlight or heating and air conditioning outlets. Sunlight and or exposure to heating and air conditioning outlets will fade/damage Chenille.

Vacuum or wipe with a soft cloth to remove dust.

Hardware may loosen over time. Periodically check to make sure all connections are tight, Re-tighten if necessary.

For item use on wooden floor, hard surfaces or carpets, it is recommended to install protective pads under all legs and supports to avoid/prevent from damages/scratches and discoloration.