

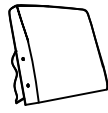
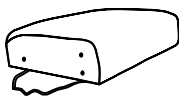

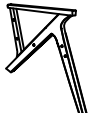

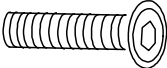
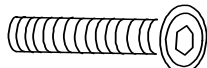


Assembly Instruction
ITEM NO.:1172BE-1/BK-1/GB-1/GY-1
Accent Chair.



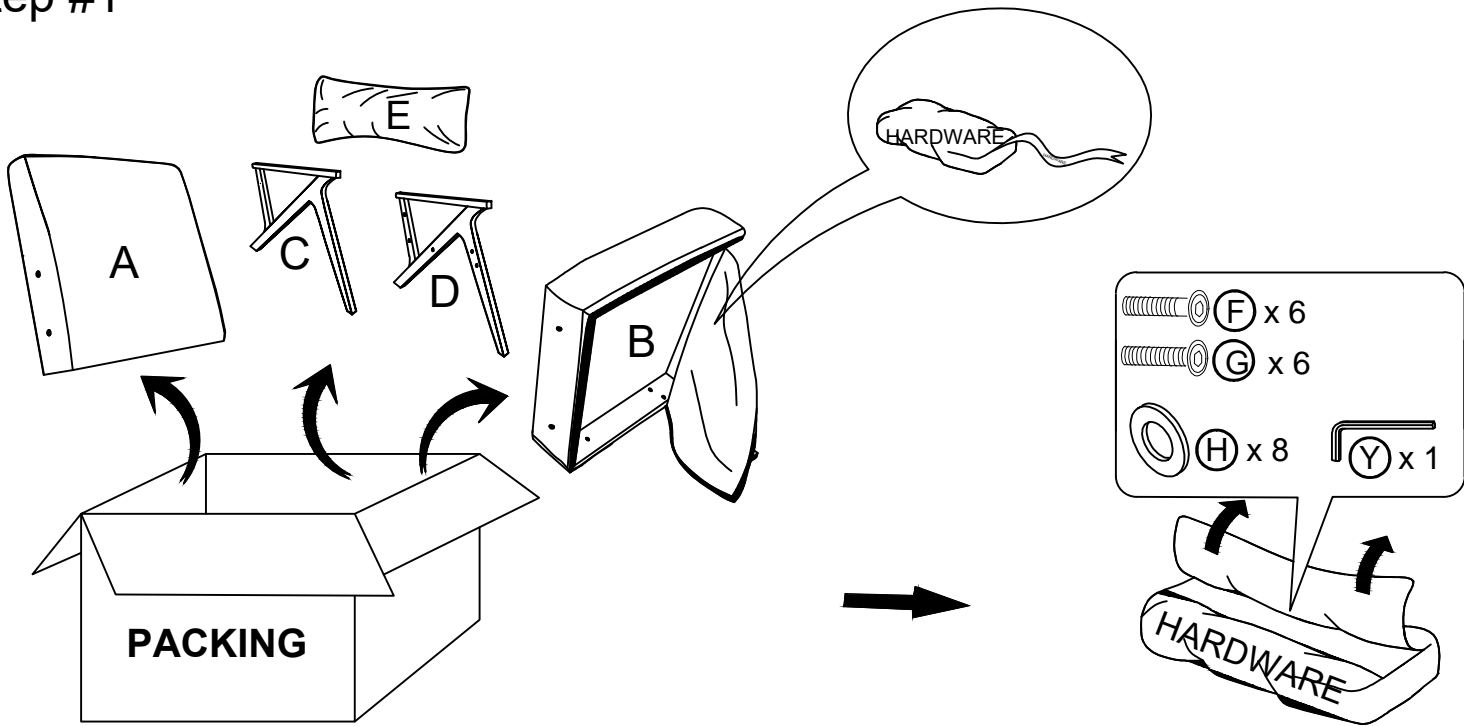
Hardware is stored at the bottom of the accent chair.
 Please take out the legs and hardware for assembly.

Note: Do not use power tools for assembly. Power tools increase the risk of over tightening which lead to splitting or cracking the wood.

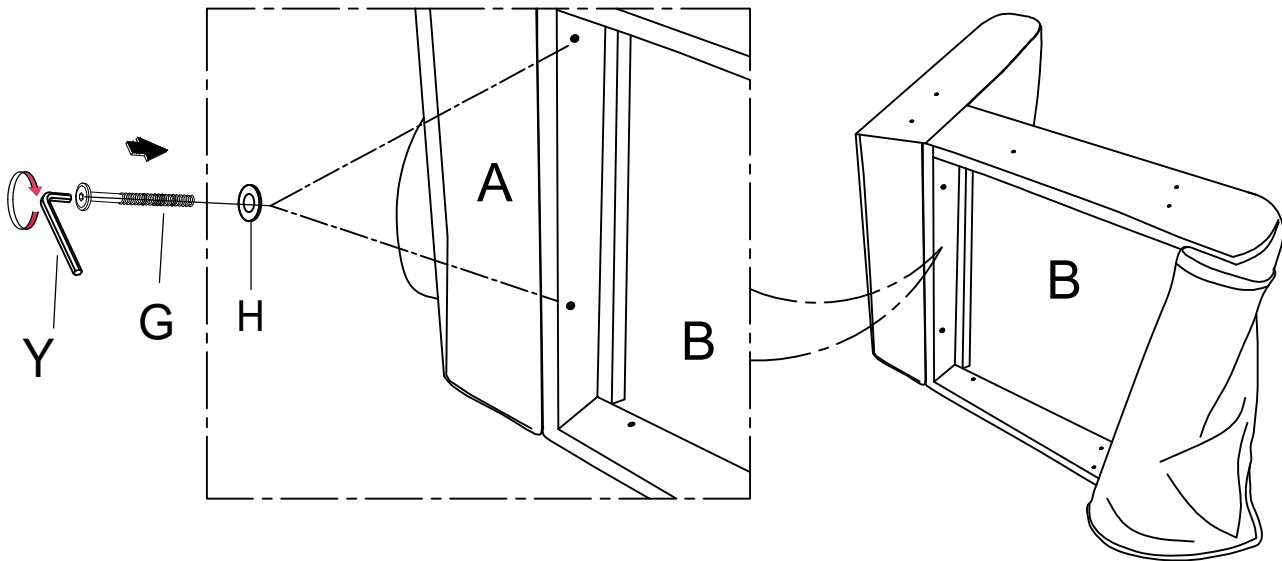
Component list

No	Drawing	Description	Qty
A		BACK CUSHION	1 PC
B		SEAT BASE	1 PC
C		LSF WOODEN FRAME ARM & LEG	1 PC
D		RSF WOODEN FRAME ARM & LEG	1 PC
E		LUMBAR PILLOW (21.5" X 11")	1 PC
F		BOLT M8x1.4"L	6 PCS
G		BOLT M8x2"L	6 PCS
H		FLAT WASHER Ø5/16"x7/8"x1.5mmT	8 PCS
Y		ALLEN KEY 1/6"x2.6"L	1 PC

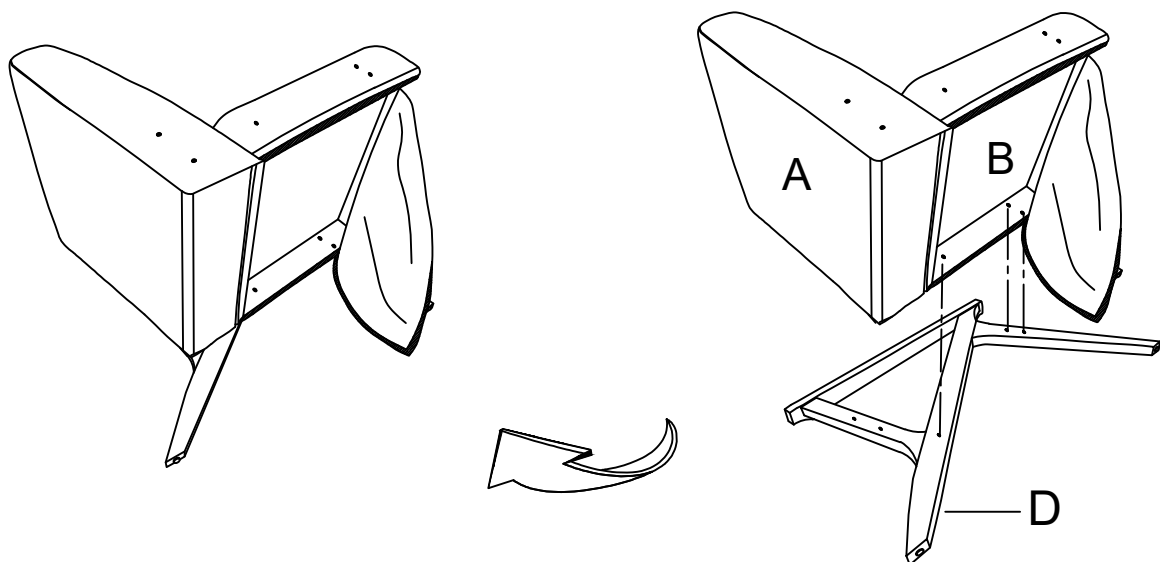
Step #1



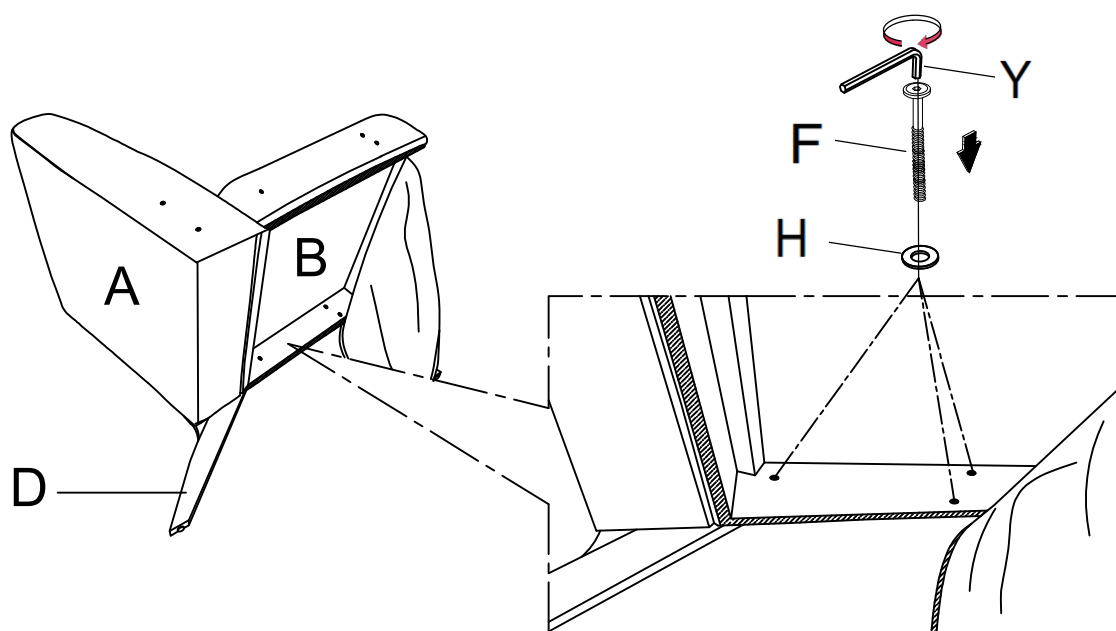
Step #2



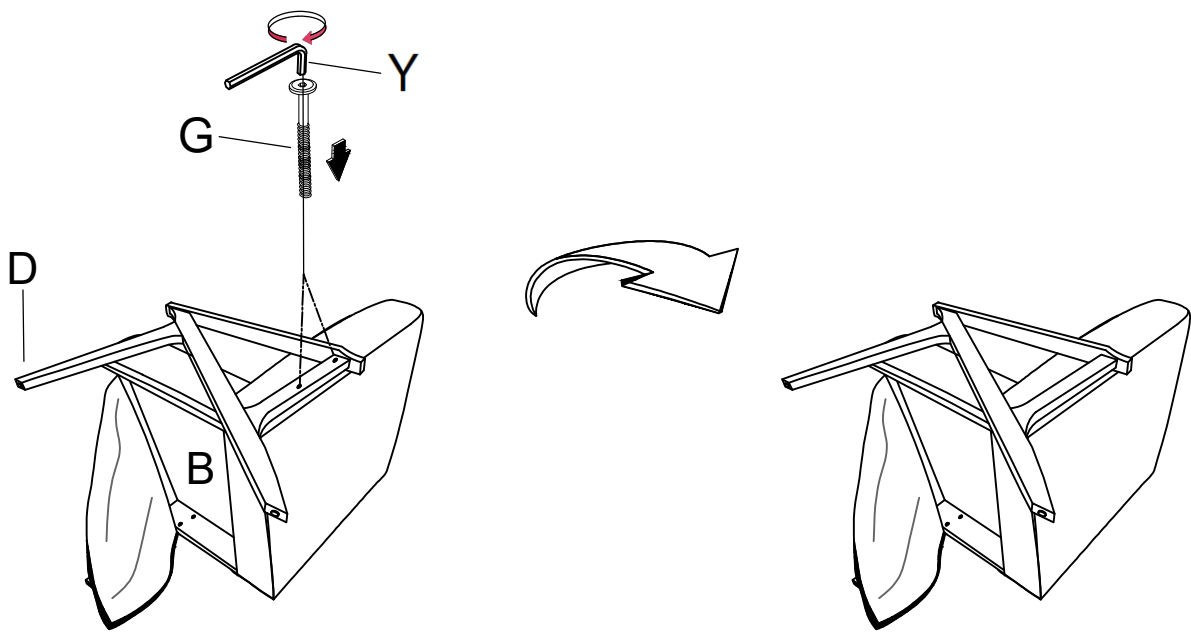
Step #3



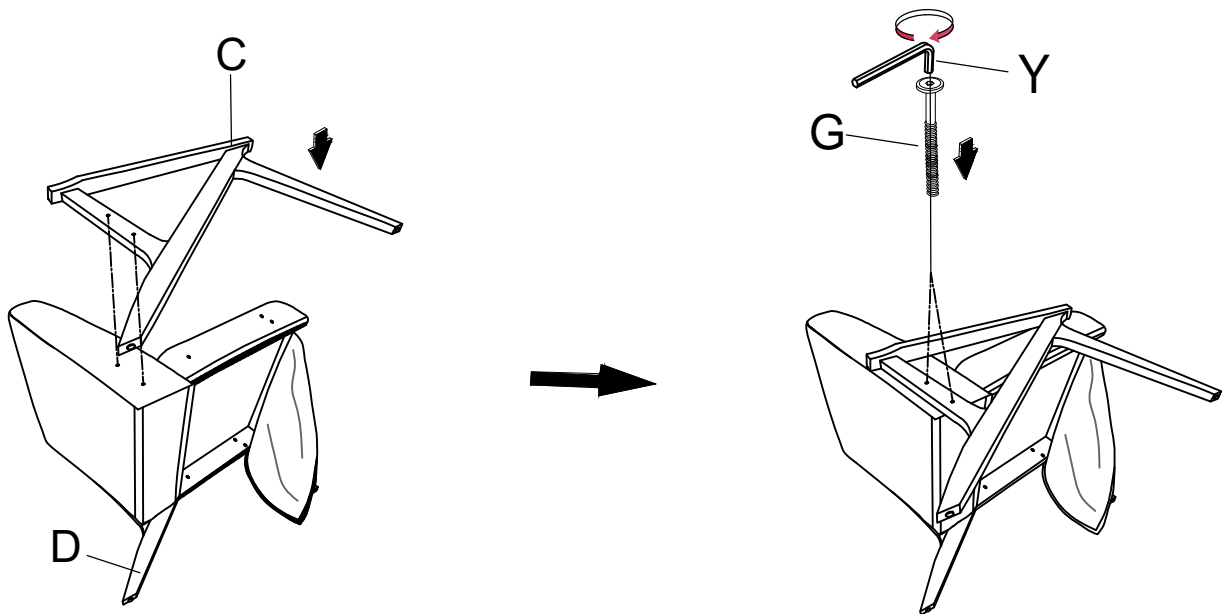
Step #4



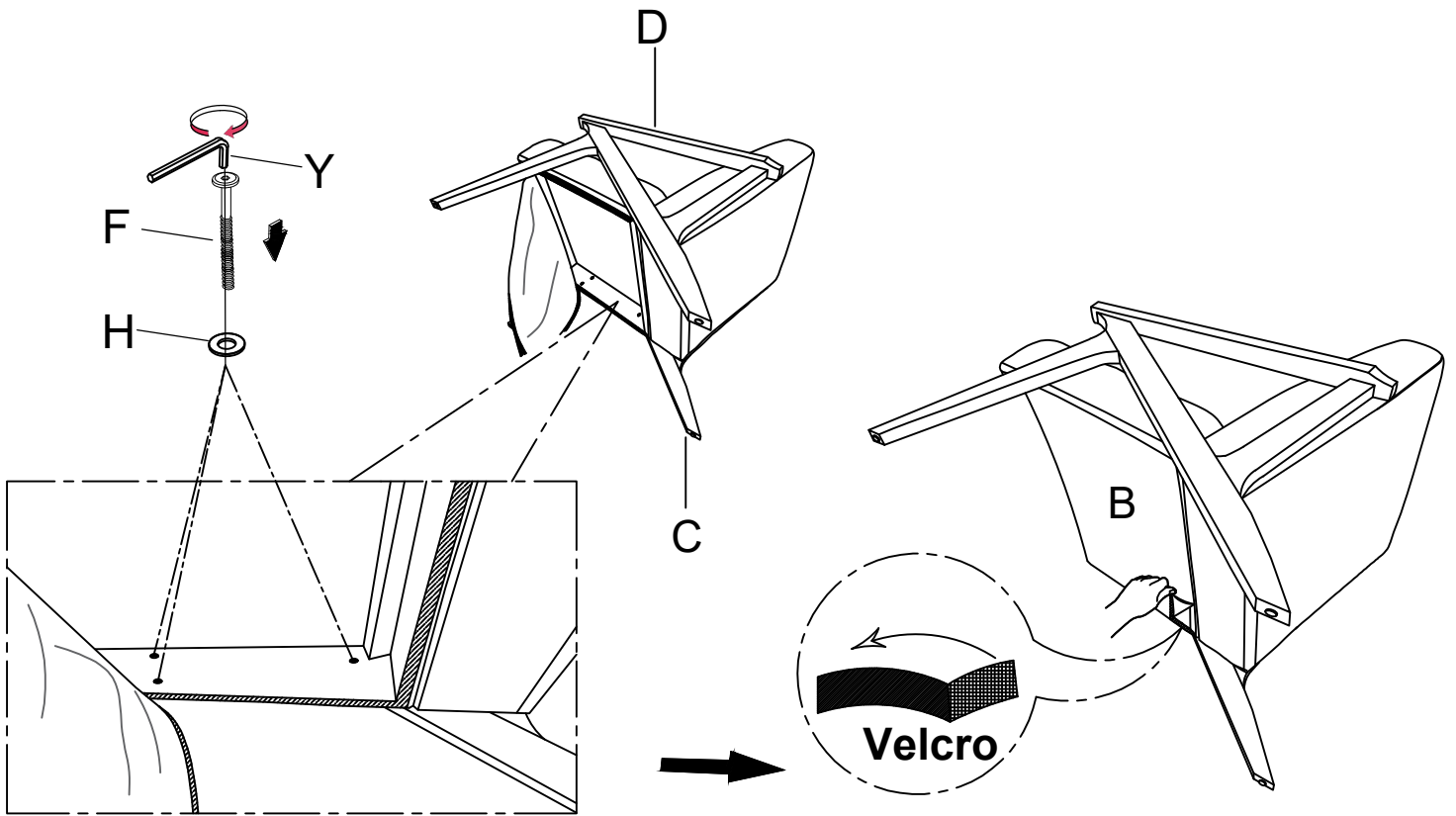
Step #5



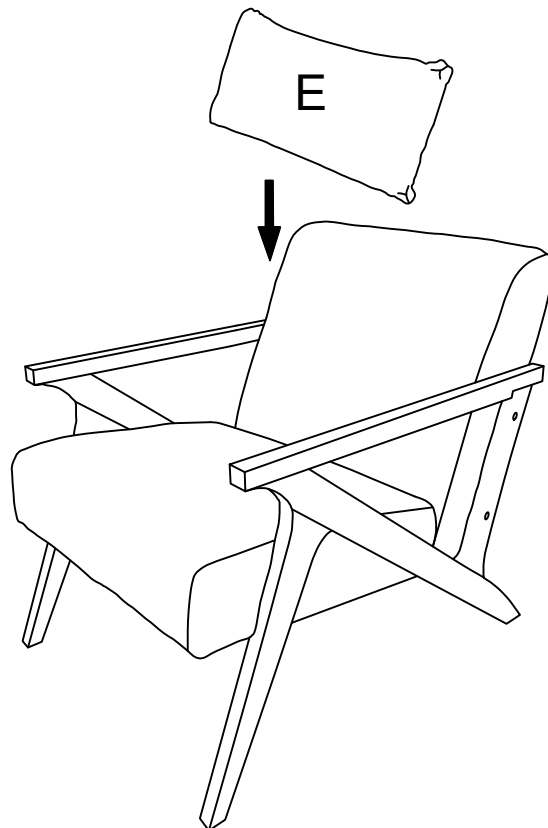
Step #6



Step #7

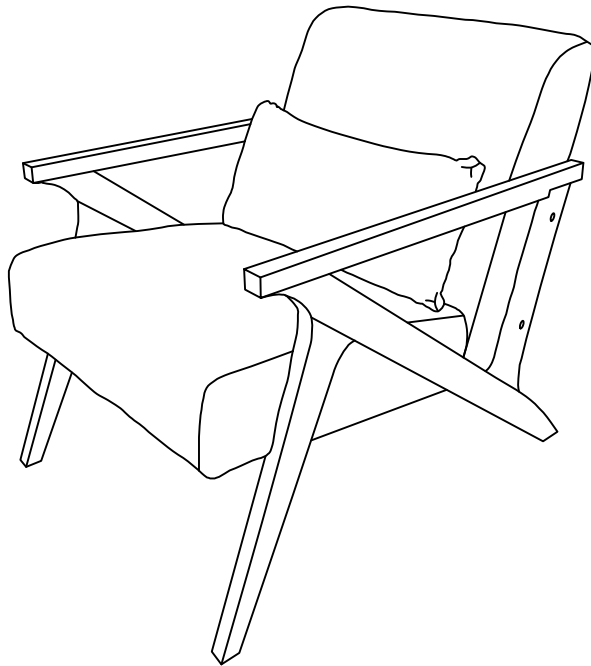


Step #8



Step #9

Completed



Care Instruction for Fabric Furniture:

In order to maintain the original appearance of your fabric Furniture, please follow below simple care procedures:

- Avoid exposing furniture directly to sunlight or heating and air conditioning outlets. Sunlight and or exposure to heating and air conditioning outlets will fade/damage Fabric.
- Vacuum or wipe with a soft cloth to remove dust.
- Hardware may loosen over time. Periodically check to make sure all connection are tight, Re-tighten if necessary



For items use on wooden floor, hard surfaces or carpets, it is recommended to Install protective pads under all legs and supports to avoid/prevent from damages/scratches and discoloration.