

# ASSEMBLY INSTRUCTION

ITEM NO: 2327K - 1  
2327K - 2  
2327 - 3

(1/3) CK/EK BED HEADBOARD  
(2/3) CK/EK BED FOOTBOARD WITH SLATS  
(3/3) QUEEN/KING RAILS





Thank you for purchasing this quality product. Be sure to check all packing material carefully for small parts that may have come loose inside the carton during shipment.

**TOOLS REQUIRED (NOT PROVIDED)**






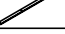
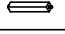

PHILLIPS SCREWDRIVER



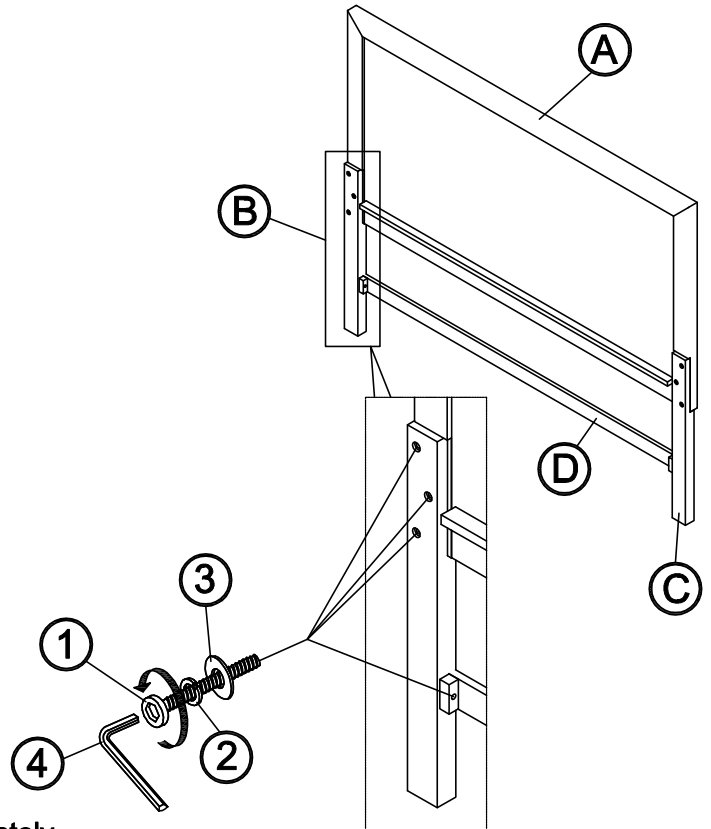
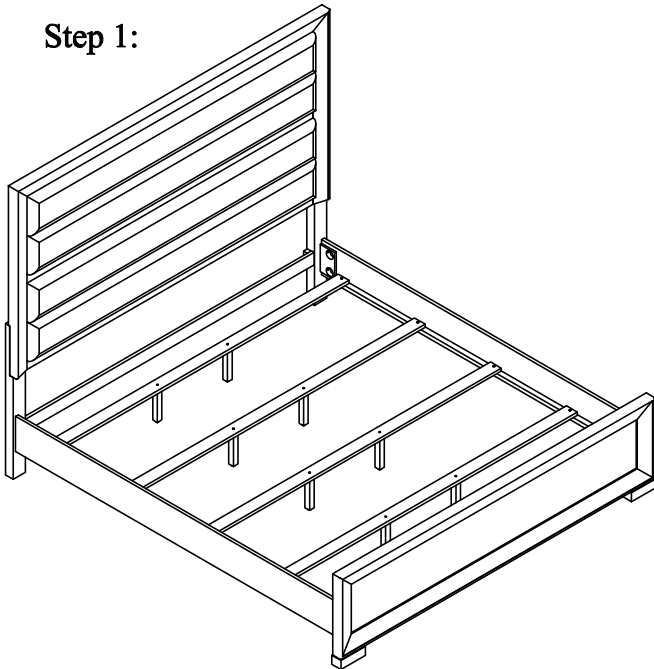
**HARDWARE LISTS**

NO.	Description	Sketch	Size	Q'ty
<b>HARDWARE (PACK IN - 1)</b>				
1	BOLT		5/16"*44mm	8PCS
2	SPRING WASHER		5/16"	8PCS
3	FLAT WASHER		5/16"*19mm	8PCS
4	ALLEN KEY		4mm	1PC
<b>HARDWARE (PACK IN - 3)</b>				
5	SCREW		Ø8*32mm	8PCS
6	THREADED BOLT		5/16"*88mm	8PCS
7	HEX NUT		5/16"	8PCS
8	U-SQUARE FLAT WASHER		5/16"	8PCS
9	SPRING WASHER		5/16"	8PCS
10	WRENCH		90*12mm	1PC

**PART LIST**

NO.	Description	Sketch	Q'ty
<b>PART (2327K-1)</b>			
A	HEADBOARD		1PC
B	HEADBOARD POST (RSF)		1PC
C	HEADBOARD POST (LSF)		1PC
D	HEADBOARD BOTTOM RAIL		1PC
<b>PART (2327K-2)</b>			
E	FOOTBOARD		1PC
F	SLATS		4PCS
G	SUPPORT LEG		8PCS
<b>PART (2327-3)</b>			
H	SIDE RAIL		2PCS

**Step 1:**



Foundation/box spring required, sold separately  
It is recommended to install protective pads under all legs and supports to avoid damage or scratches when placing furniture on a wood floor or other hard surface, and to limit indentation and prevent discoloration if placing on carpet.  
Hardware may loosen over time . Periodically check to make sure all connections are tight. Re-tighten if necessary

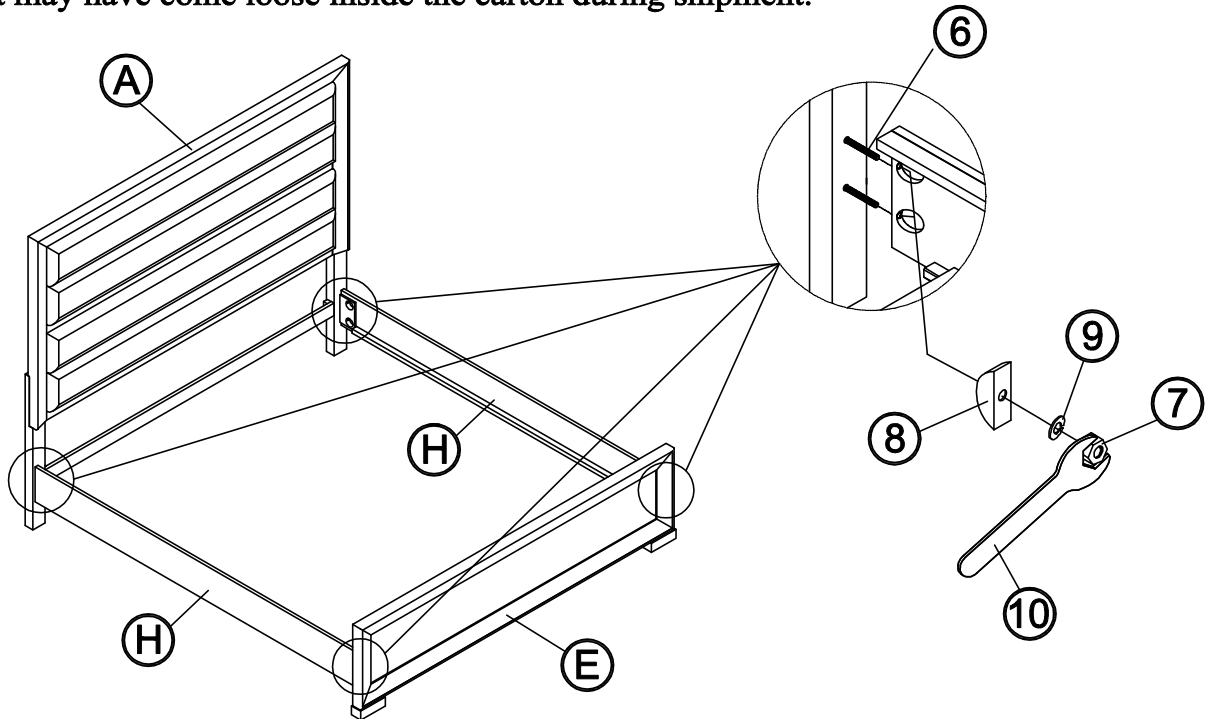
# ASSEMBLY INSTRUCTION

ITEM NO: 2327K - 1  
2327K - 2  
2327 - 3

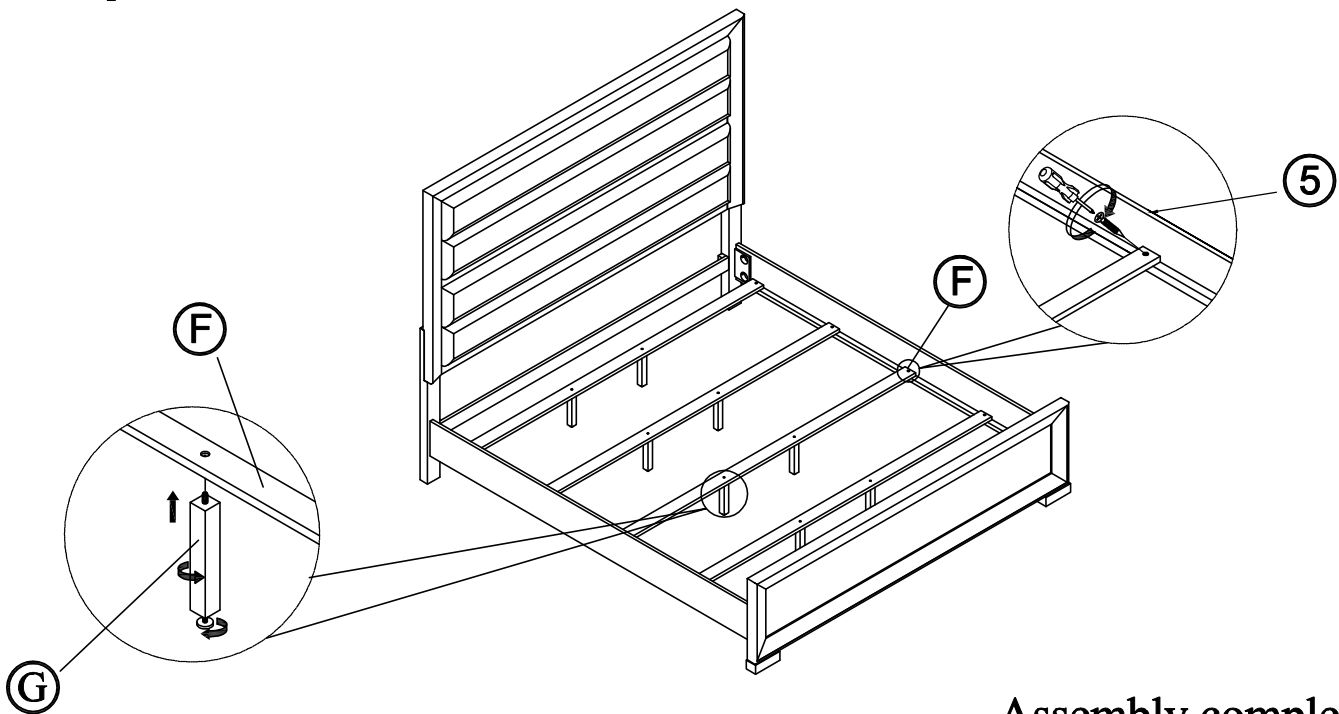
(1/3) CK/EK BED HEADBOARD  
(2/3) CK/EK BED FOOTBOARD WITH SLATS  
(3/3) QUEEN/KING RAILS

Thank you for purchasing this quality product. Be sure to check all packing material carefully for small parts that may have come loose inside the carton during shipment.

Step 2:



Step 3:



**Assembly completed**



Foundation/box spring required, sold separately  
It is recommended to install protective pads under all legs and supports to avoid damage or scratches when placing furniture on a wood floor or other hard surface, and to limit indentation and prevent discoloration if placing on carpet.  
Hardware may loosen over time . Periodically check to make sure all connections are tight. Re-tighten if necessary

**MADE IN VIETNAM**