



# ASSEMBLING INSTRUCTIONS

ITEM NO: 9155GY/TP-1L

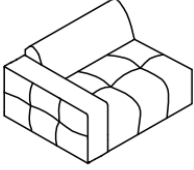


Left Side Chair with one Arm



Plastic legs have been pre-installed at the bottom of the chair.

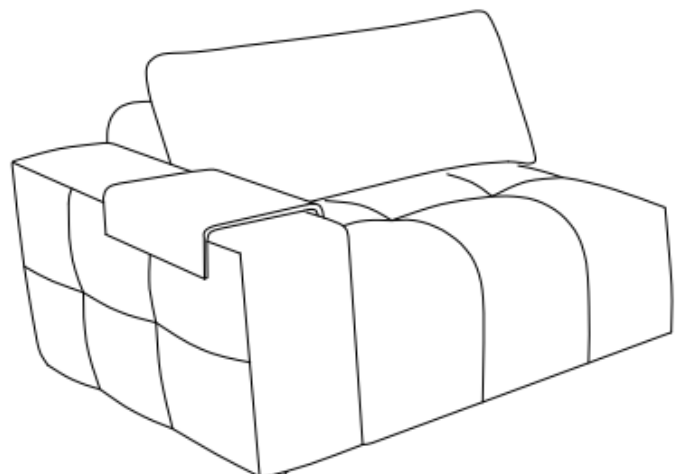
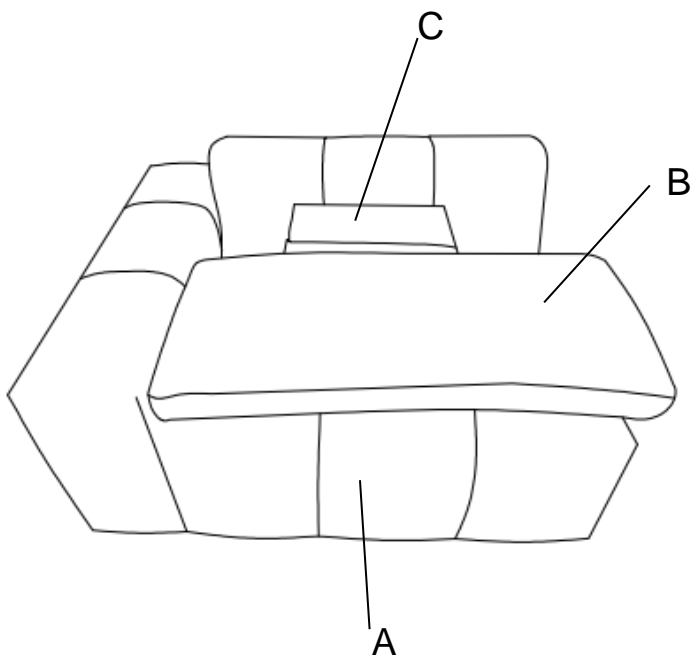
Note: Do not use power tools for assembly. Power tools increase the risk of over tightening which lead to splitting or cracking the wood.

## COMPONENT LIST

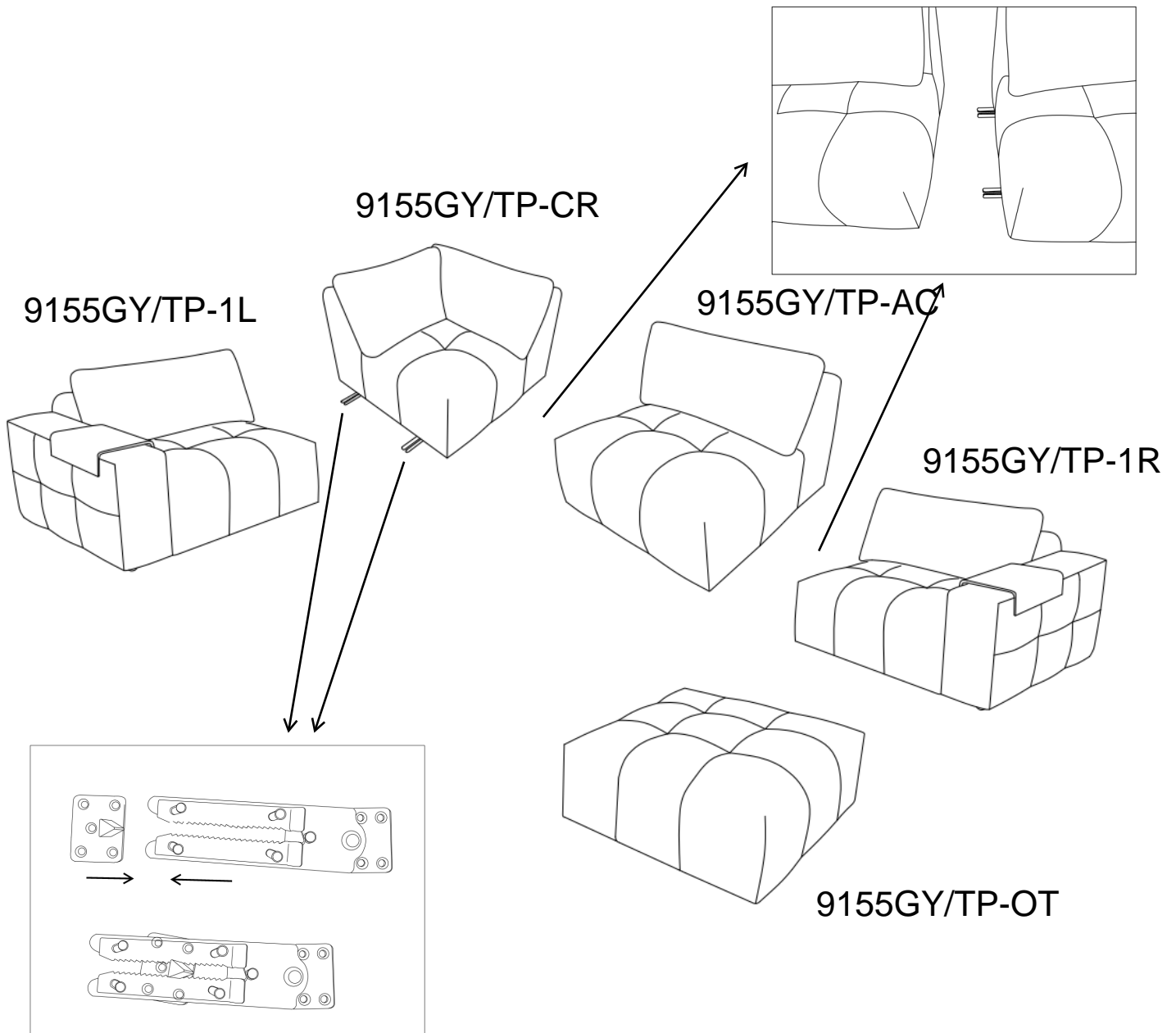
NO	DRAWING	DESCRIPTION	QTY
A		LSF CHAIR	1 PC
B		BACK CUSHION	1 PC
C		PLYWOOD ARM TRAY 17.7 x 12.2 x 4.7 (INCH)	1 PC

STEP 1:

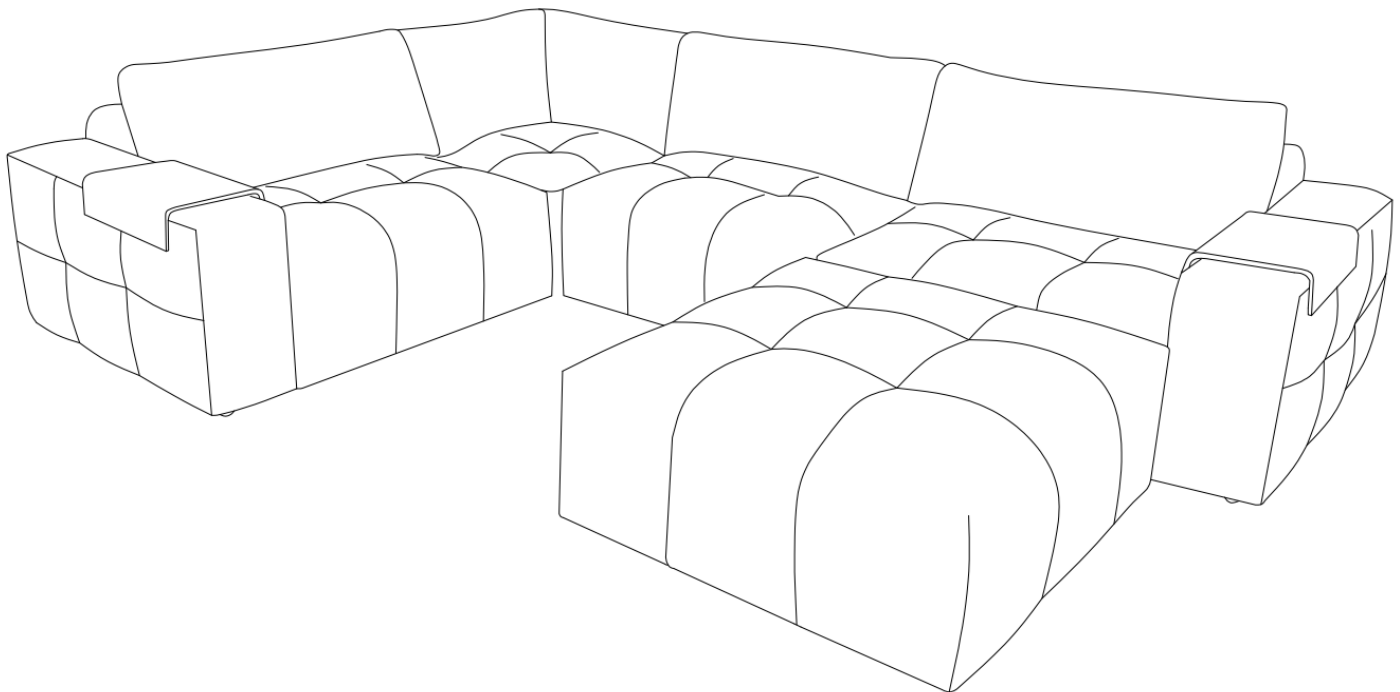
STEP 2: Completed.



STEP 3:



## STEP 4: Sectional Completed.



### Care Instruction for Textured Fabric Furniture:

In order to maintain the original appearance of your textured fabric, please follow below simple care procedures:

- Avoid exposing furniture directly to sunlight or heating and air conditioning outlets. Sunlight and/or exposure to heating and air conditioning outlets will fade/damage textured fabric. Do not place your upholstered furniture too close to windows, radiators, or vents, and be sure to use windows, radiators, or vents.
- Vacuum or wipe with a soft cloth to remove dust.
- Hardware may loosen over time. Periodically check to make sure all connections are tight. Re-tighten if necessary.



For items use on wooden floor, hard surfaces or carpets, it is recommended to Install protective pads under all legs and supports to avoid/prevent from damages/scratches and discoloration.